



## ProClip Medium Universal Tablet Holder with Key Lock

Part #539854

**\$159.99**

This universal adjustable ProClip Tablet cradle is designed to fit most 7-10 inch tablets without a case. The cradle is designed with the intention to leave as much space open to be able to access the charging port and buttons on your tablet. Once the cradle is adjusted for the right size it will allow you to easily insert and remove the device with our spring action corner. With this tablet cradle you can use your tablet in landscape or portrait view, and easily rotate between the two positions. You can also angle/tilt the tablet 15 degrees for better viewing and to avoid glare.

### Features

- Works for tablets without case
- Includes Key Lock for added security
- Includes Tilt-Swivel to allow rotation and tilting

*Standard website promos do not apply to this item.*

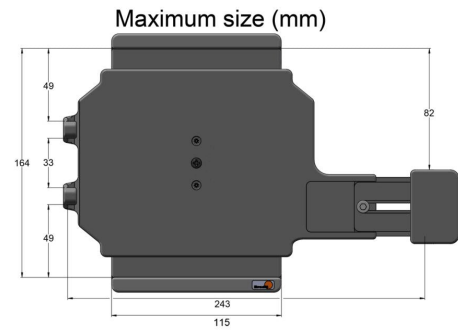
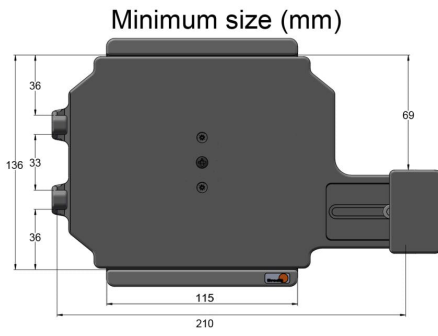
### Specifications

#### Sizing Specs:

- Height adjustment 210-240 mm (8.27 to 9.45 in)
- Width adjustment 136-164 mm (5.35 to 6.46 in)

### Compatibility

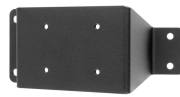
# Image Gallery



# Mounting Options



Pedestal Mounts



Custom Vehicle Mounts



Forklift Mounts