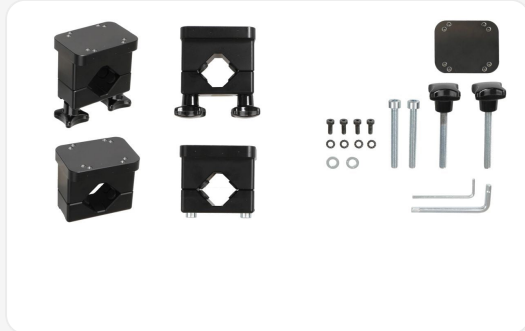


# Heavy Duty Aluminum Pipe Mount with Thumb Screws - 29 to 42 mm

PART #216114

**\$139.99**

MSRP · Subject to change



Product Image  
(Image Gallery Available Online)

## Product Overview

This heavy duty aluminum pipe mount is designed to provide a secure mounting base for pedestals and holders on pipes or bars that may be hard to get around otherwise.

The mount includes M4 threaded holes that fit the AMPS pattern. The AMPS holes are offset at 90 degrees to allow for horizontal or vertical attachment.

The pipe mount includes thumb screws to allow the mount to be easily added or removed from a pipe without the need for tools. Bolts are also included for a more secure and permanent installation.

## Features

For installation of devices on pipes and bars and provides an AMPS hole pattern that is compatible with ProClip holders and pedestals.

- Fits Round Bars 29 - 42 mm (1.14 - 1.65 in)
- Fits Square Bars with Side Walls 20 - 30 mm Wide (0.79 - 1.18 in)
- Includes bolts and thumb screws for easy install and removal

## Specifications

- Fits Round Bars 29 - 42 mm (1.14 - 1.65 in)
- Fits Square Bars with Side Walls 20 - 30 mm Wide (0.79 - 1.18 in)
- Industry standard AMPS hole pattern for M4 screws
- Includes: M4 x 12mm screws, Lock Washers, Clamp Plate, Back Bracket, Thumb Screws, Flat Washers, and Allen wrench



### UNMATCHED LEAD TIMES

Stocked Items 1 - 7 Days  
Custom Items 4 - 6 Weeks



### PRECISE FIT

Our CNC machining process produces exact-fitting parts at fast speeds.



### BUILT TO LAST QUALITY

We use the highest-grade polymers and metals for strength and durability.