



Small Universal Scanner Holder with Sidewalls

Part #216239

\$59.99



This Large Universal Scanner Holder fits mobile computers and barcode scanners that feature a trigger handle and can accommodate a wide variety of devices.

The inside of the holder is 3.26 inches (83mm) wide by 2.28 inches (58mm) deep. The height is 4.88 inches (124mm) with a gap to allow the handle to slide down and into the bottom of the holder.

The industry standard AMPS hole pattern allows easy attachment to any flat surface or ProClip forklift, cart, pipe or vehicle mount.

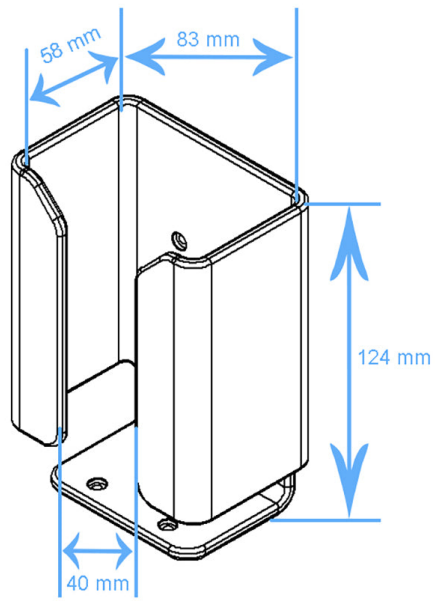
Features

- Keeps the device within easy reach
- Universal Fit for devices to 3.26 W x 4.88 H x 2.28 D Inches (83x124x58 mm)
- Open slot design for trigger handles
- AMPS hole pattern for easy mounting
- Can be attached to a ProClip pedestal or any flat surface
- Made in Sweden from high quality durable plastic

Compatibility

- Honeywell Xenon 1900G
- Zebra 3600 Series
- Zebra 8100 Series
- Zebra MC3400
- Zebra MC3450

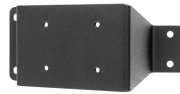
Image Gallery



Mounting Options



Pedestal Mounts



Custom Vehicle Mounts



Forklift Mounts